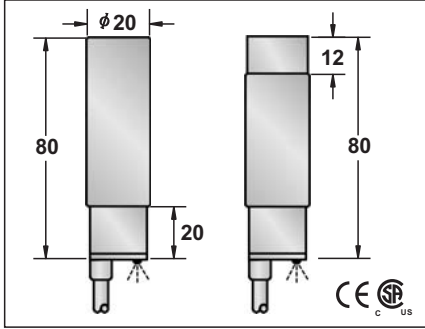


φ20、 M30、 φ34

AC INDUCTIVE PLASTIC HOUSING PROXIMITY SWITCH

AC INDUCTIVE PLASTIC HOUSING PROXIMITY SWITCH

φ20	
●	○
5 mm	8 mm
PBT RESIN	
●	

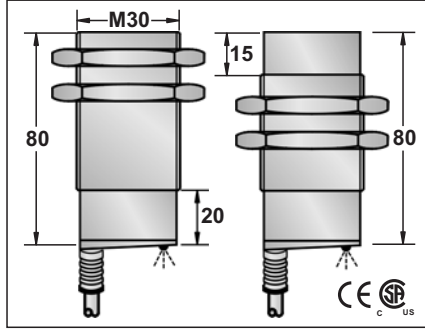


20-250VAC
-
<1.8mA
400mA
<1.8mA
5A(20ms)
5mA
<8VAC AT 400MA
<25HZ
10ms/10ms
<15%(Sr)
<1.0%(Sr)
IP67
-25°C - +70°C
<10%(Sr)
NO
-
-
RFI>3V/m / EFT>1KV / ESD>4KV (contact)
IEC 60947-5-2, Part 7.4.1 / IEC 60947-5-2, Part 7.4.2
PBT

FCP1-D2005A-A2L2	9	FCP2-D2008A-A2L2
FCP1-D2005A-B2L2	10	FCP2-D2008A-B2L2
FCP1-D2005A-C4L2	14	FCP2-D2008A-C4L2

5.8 φ 2x0.5
Approx.153 g

M 30	
●	○
10 mm	15 mm
PBT RESIN	
●	

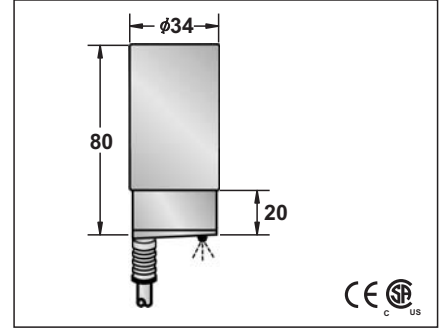


20-250VAC
-
<1.8mA
400mA
<1.8mA
5A(20ms)
5mA
<8VAC AT 400MA
<25HZ
10ms/10ms
<15%(Sr)
<1.0%(Sr)
IP67
-25°C - +70°C
<10%(Sr)
NO
-
-
RFI>3V/m / EFT>1KV / ESD>4KV (contact)
IEC 60947-5-2, Part 7.4.1 / IEC 60947-5-2, Part 7.4.2
PBT

FCP1-3010A-A2L2	9	FCP2-3015A-A2L2
FCP1-3010A-B2L2	10	FCP2-3015A-B2L2
FCP1-3010A-C4L2	14	FCP2-3015A-C4L2

5.8 φ 2x0.5
Approx.187 g

φ34	
●	○
15 mm	20 mm
PBT RESIN	
●	



20-250VAC
-
<1.8mA
400mA
<1.8mA
5A(20ms)
5mA
<8VAC AT 400MA
<25HZ
10ms/10ms
<15%(Sr)
<1.0%(Sr)
IP67
-25°C - +70°C
<10%(Sr)
NO
-
-
RFI>3V/m / EFT>1KV / ESD>4KV (contact)
IEC 60947-5-2, Part 7.4.1 / IEC 60947-5-2, Part 7.4.2
PBT

FCP1-D3415A-A2L2	9	FCP2-D3420A-A2L2
FCP1-D3415A-B2L2	10	FCP2-D3420A-B2L2
FCP1-D3415A-C4L2	14	FCP2-D3420A-C4L2

5.8 φ 2x0.5(5.8 φ 4x0.5)
Approx.199 g

Note: In Preparation: Part numbers with a line through the middle